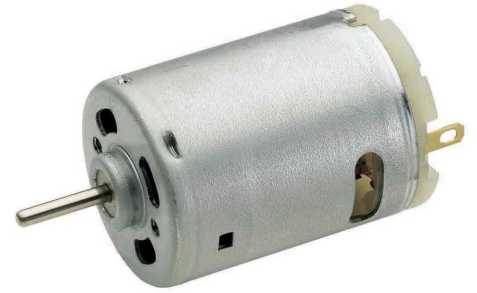


**Characteristics:**

High Power DC motor

**Specifications:**

Dimensions	: Ø 27.5 X 38.0 mm
Shaft Diameter	: Ø 2.305 mm
Input Voltage	: 24.0 V DC
No Load Speed	: 22000 rpm
No Load Current	: 0.20 A
Nominal Speed	: 18500 rpm
Nominal Torque	: 10.00 mNm
Nominal Current	: 1.20 A
Stall Torque	: 60.00 mNm
Stall Current	: 6.00 A
Maximum Output Power	: 35.00 W
Maximum Efficiency	: 70 %
Torque at Maximum Efficiency	: 10.00 mNm
Speed at Maximum Efficiency	: 18500 rpm
Life (typical)	: 150 hr
Weight	: 65 g
Operation Temperature	: -10 to 55 °C
Storage Temperature	: -20 to 80 °C
Electrical Connection	: terminals



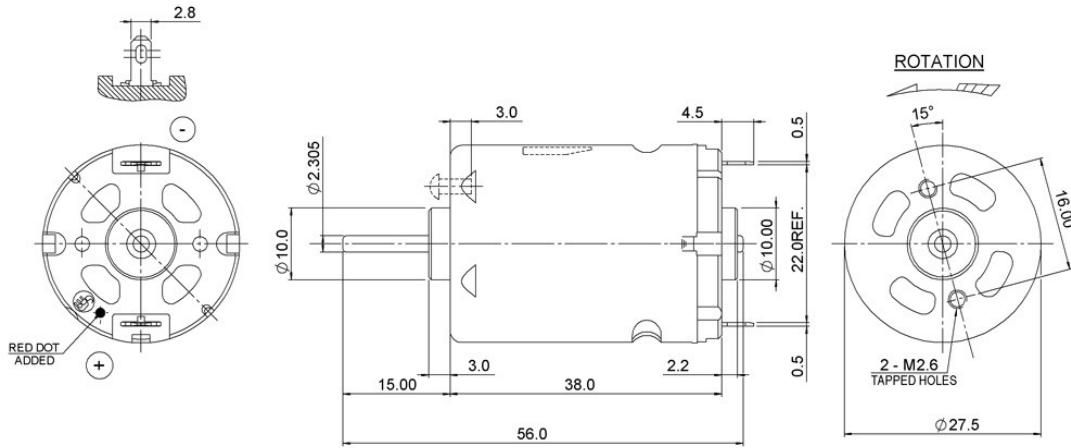
**Performance Data:**

	No Load	Stall	Max Efficiency	Max Power
Current (A)	0.20	6.00	1.20	3.00
Efficiency (%)	-	-	70	45
Output Power (W)	-	-	20.00	35.00
Speed (rpm)	22000	-	18500	11000
Torque (mNm)	-	60.00	10.00	30.00

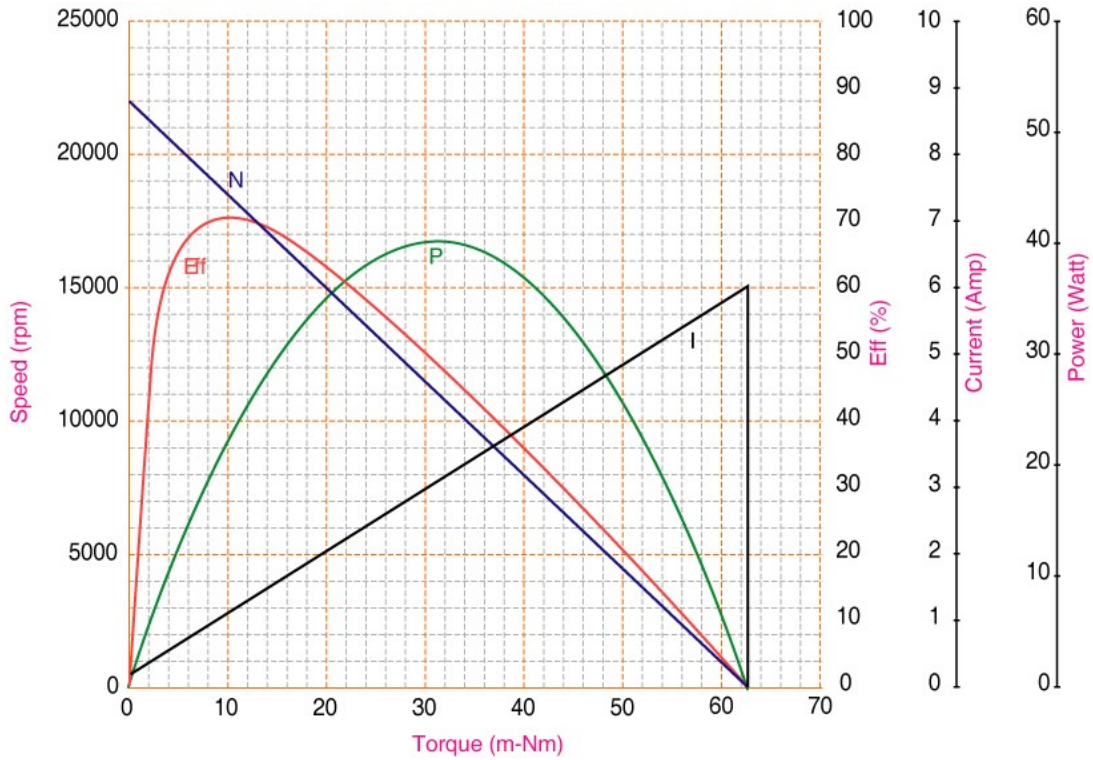
**Application Examples:**

Hair Dryers

Drawing:



Performance Curves:



Units in Metric